

Longford – 20 years on

What is different now?

What are the next steps?

Andrew Hopkins

Worksafe Victoria, 31 Oct 2018

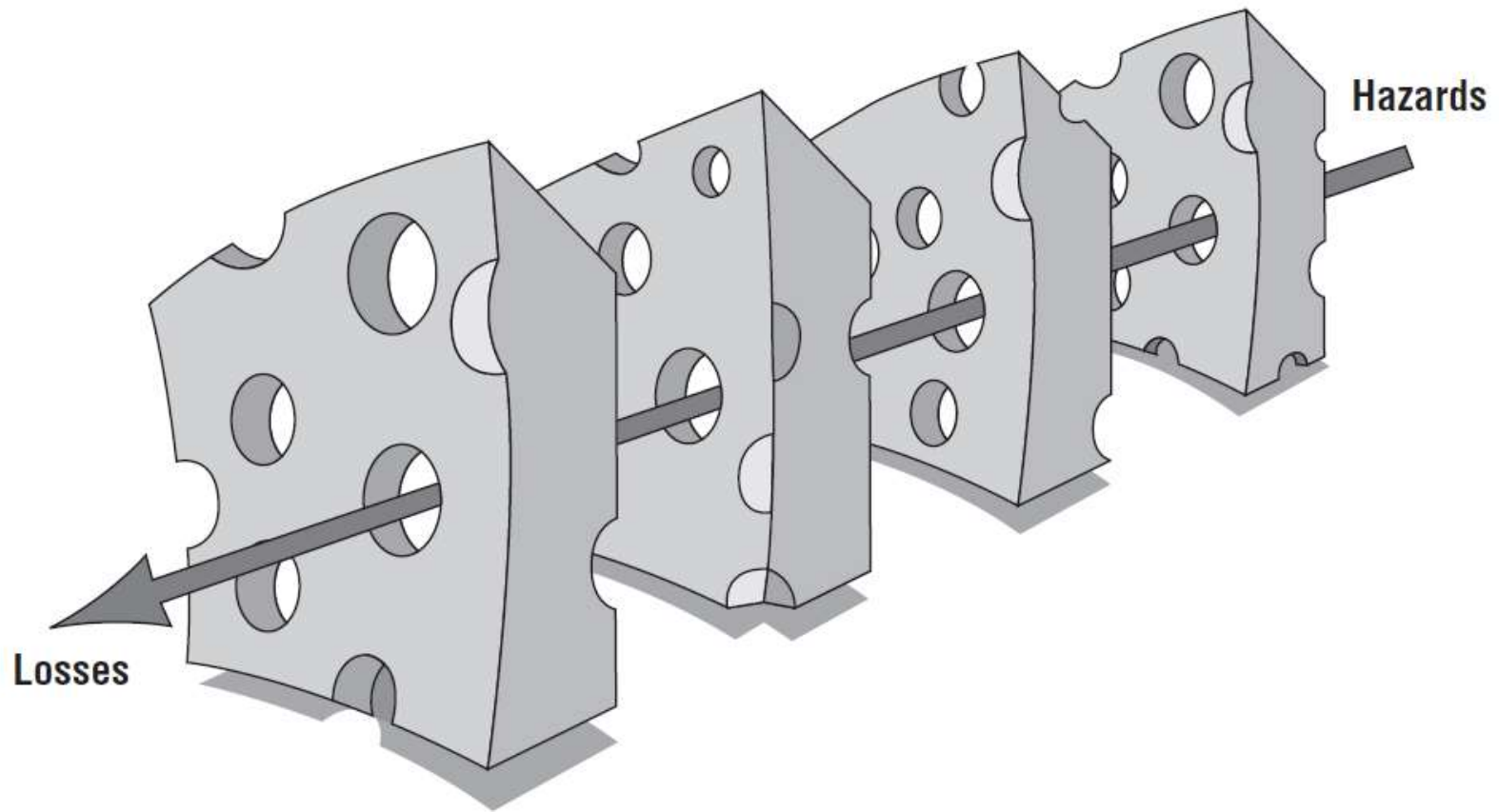
What is different now?

- 1. Major Hazards Facilities (MHFs) Regime
 - **Essence of Safety case**
 - Identify potential catastrophic incidents (Major Incident Scenarios)
 - Decide on appropriate controls, and put in place
 - Monitor to ensure controls remain in place
 - **And** Operator makes a “case” to the regular
 - Regulator licenses operator

Getting the best out of your safety case.

What is different now?

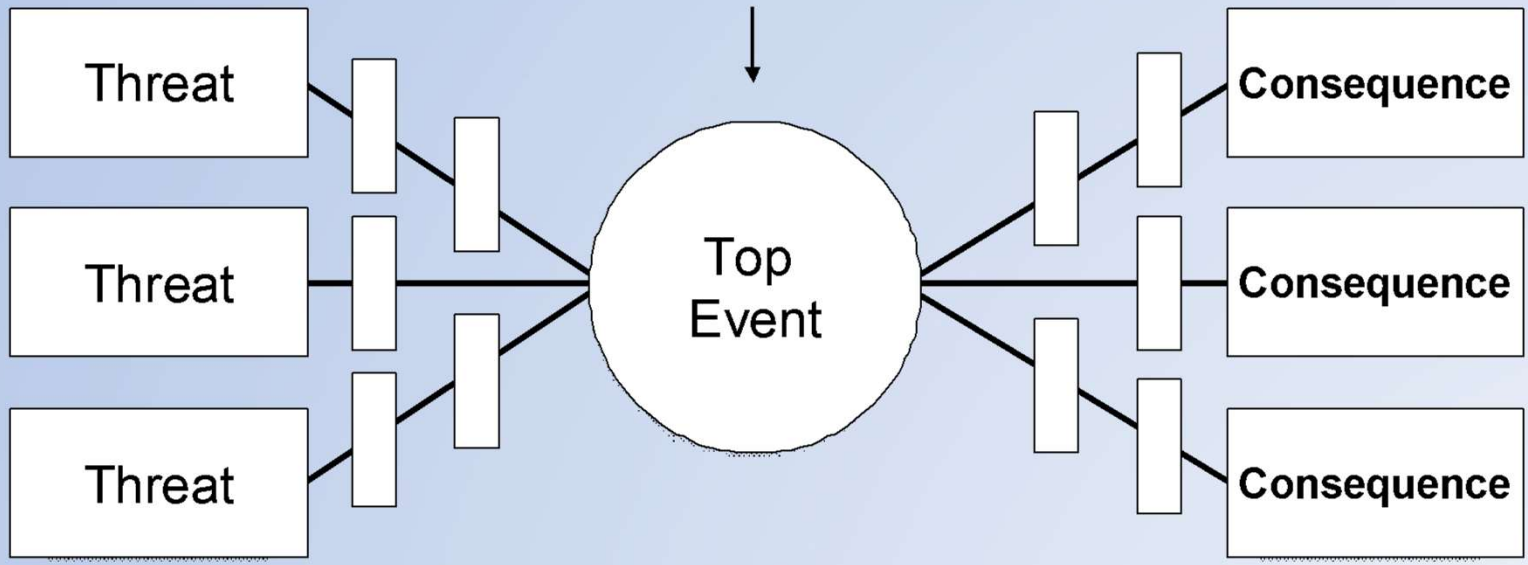
- 1. Major Hazards Facilities (MHFs) Regime
- 2 Better ways of thinking about accident causation



Events and circumstances

Undesirable event with potential for harm

Harm to people and damage to assets or environment



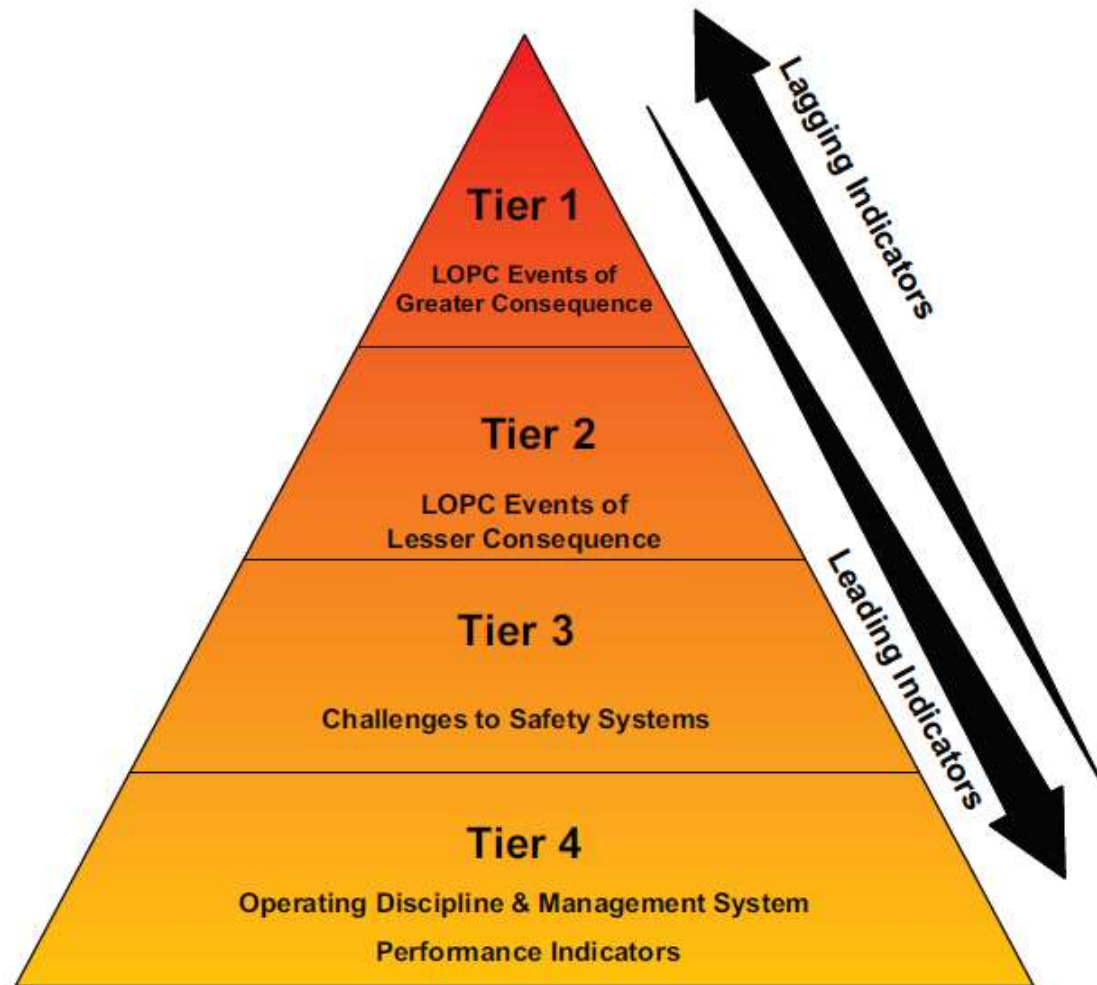
 = Barriers or controls

TOP CRITICAL RISKS

Hazard	Control
1. Significant exposure to strong sulphuric acid	Restricted access; Strong acid containment PPE
2. Mobile equipment interaction	Visual contact (8 metre rule) High vis vest; walkways; rail stops
3. Fall from height	Handrails, guardings; Fall protection when required (training)
4. Struck by object	Restricted access on loading rails; Barricades overhead work

What is different now?

- 1. Major Hazards Facilities (MHFs) Regime
- 2. Better ways of thinking about accident causation
- 3. Difference between personal and process safety



Next steps?

- 1 Improve reporting of bad news
 - Shell slogan: “challenge the green, embrace the red”.
- 2 Learn from accidents
- 3 Support for process safety specialists